



A compact wireless keyfob designed for quick arming, disarming, stay mode activation and user-defined actions.

Crow - Where Experience meets Innovation since 1977

Leveraging decades of expertise and advanced technology, Crow is redefining security for today and tomorrow.

Since 1977, the Crow Group has delivered intelligent, high-performance solutions for residential and commercial environments offering a comprehensive portfolio of cutting-edge control panels and versatile wired and wireless peripherals that make homes and businesses safer and smarter.

Our solutions serve customers worldwide through a robust global network of distributors, professional installers and central monitoring stations.

Building on its long-standing leadership in security, Crow now combines deep expertise in artificial intelligence, video analytics and cloud technologies to offer next-generation solutions for Security, Monitoring, and Telecare.

CROW's Keyfob Remote

A 4-button, two-way wireless keyfob designed for seamless control of the QUANTIX™ panel. It enables arming and disarming with visual LED confirmation to ensure command acknowledgment.

Both the remote and compatible proximity tags can be conveniently attached to a keychain for everyday accessibility.

Remote

CROW 



Smart security starts at the door with effortless remote control at your fingertips.

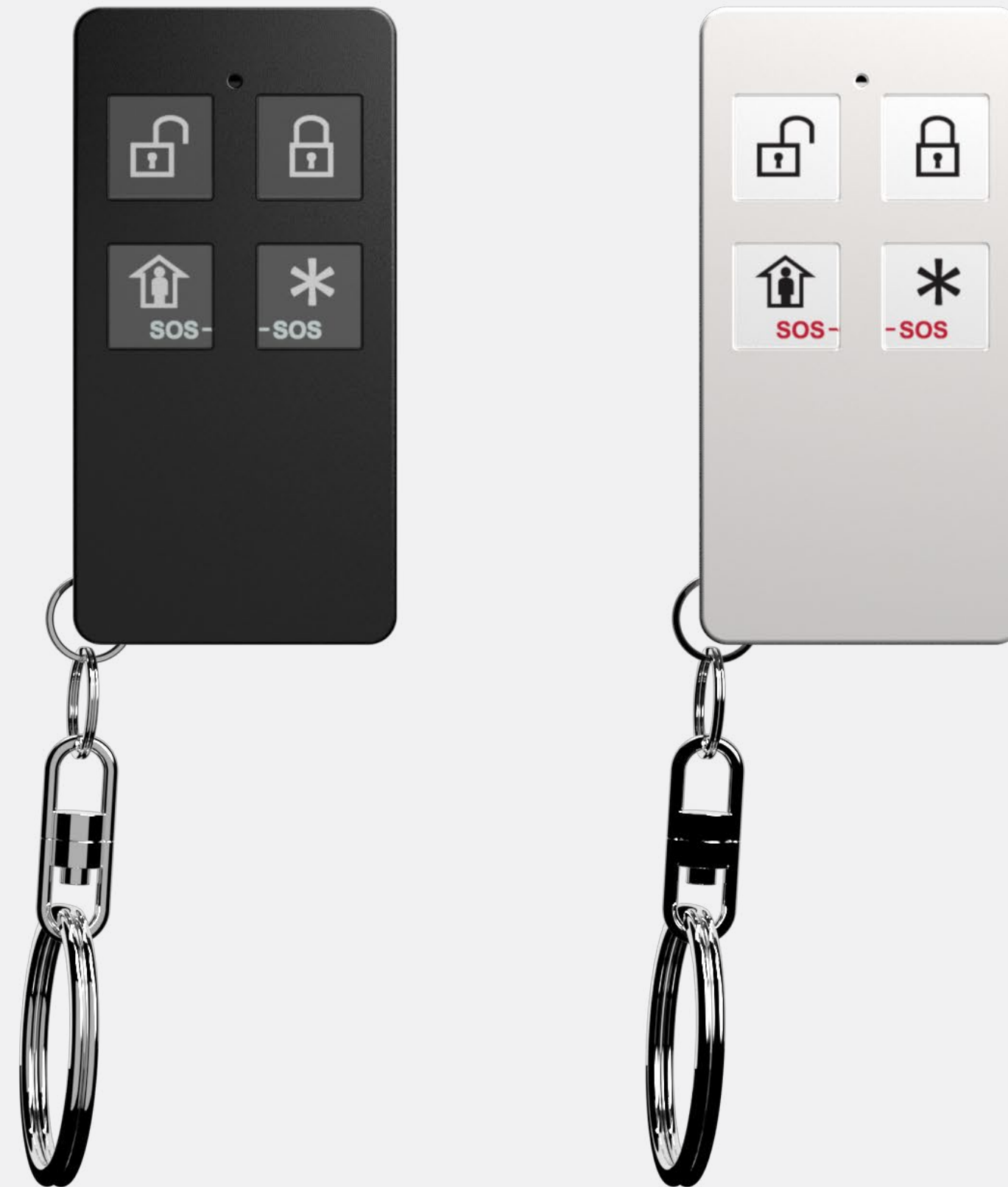
Remote

CROW 



A compact and intuitive remote control designed for smooth and reliable daily interaction with your security system.

Timeless Color Options



Available in sleek black or white to complement any interior.

Four Programmable Control Buttons

Features four independent, programmable buttons for quick arming, disarming, and custom security actions.

Two-Way Communication with LED Confirmation

Provides visual LED feedback to confirm commands are received and executed by the QUANTIX™ panel.

Long-Range Wireless Performance

Provides reliable communication up to 1000 meters (open space), ensuring dependable control from a distance.



Compact Keychain-Ready Design

Slim and lightweight form factor allows the remote and proximity tags to attach easily to a keychain for everyday convenience.

Extended Battery Life

Powered by a lithium CR2032 battery, offering up to 5 years of operation with ultra-low power consumption.

Reliable Panic Alarm Activation

Instant access to a dedicated panic function enables users to trigger an emergency alarm quickly and discreetly when needed.

Certified Performance

EN50131 Security Grade 2 Class II

Operation Method

4 independent and programmable buttons

Frequency Band

ISM GFSK / OQPSK DSSS
868 - 869 / 902 - 928 MHz
Frequency and output power
according to local regulations

Operating Temperature

-10°C to +55°C
(33 °F to 122 °F)

Identification

Unique ID serial number – 32 bit

Current Consumptions

Standby: <1 μA
Transmission: ~30 mA

Communication Range

500m open space

Battery Life

up to 5 Years

Power Supply

Lithium 3V Size CR2032

Functions

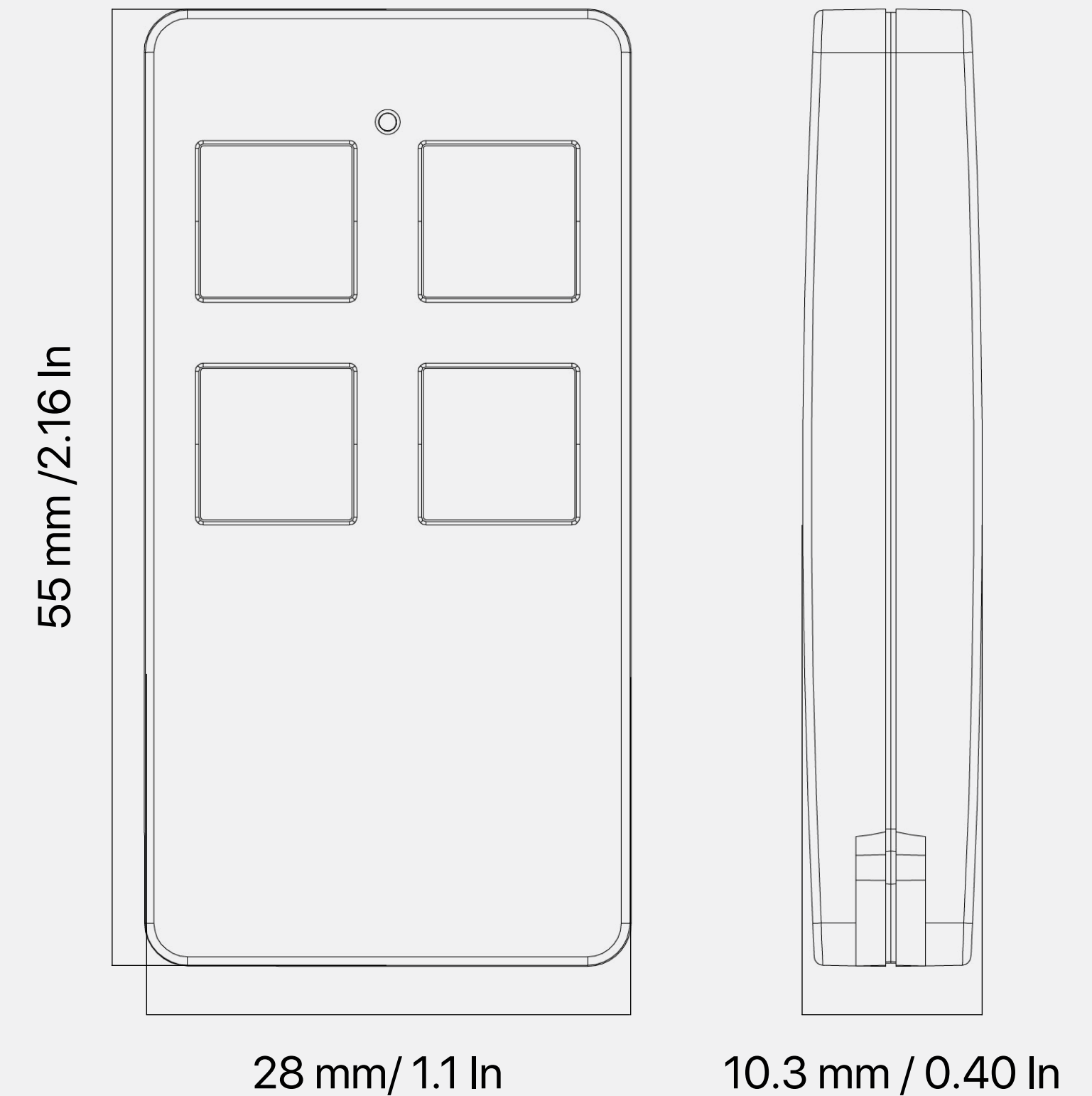
Arm / Disarm
Panic Alarm

Compliance

EN50131 Security Grade 2 Class II

Communication Protocol

Freewave2™ two-way & LBT
Multi Frequency ,AFA



Integrations and Partnerships

Crow empowers organizations to develop fully integrated security solutions by leveraging advanced systems that enhance IT infrastructure and maximize the potential of Crow products.

With a robust **API interface**, businesses can efficiently manage thousands of Crow security systems, seamlessly embed functionality into their own applications, and integrate smoothly with CRM, billing, and other third-party platforms.

Real-time updates from the **Crow Cloud** keep software and clients informed and responsive, providing unparalleled control and flexibility across the entire security ecosystem.

Discover how partnering with Crow can revolutionize the deployment of security and automation solutions.

Contact us to learn more

www.crow-protect.com

sales@crow-protect.com

support@crow-protect.com